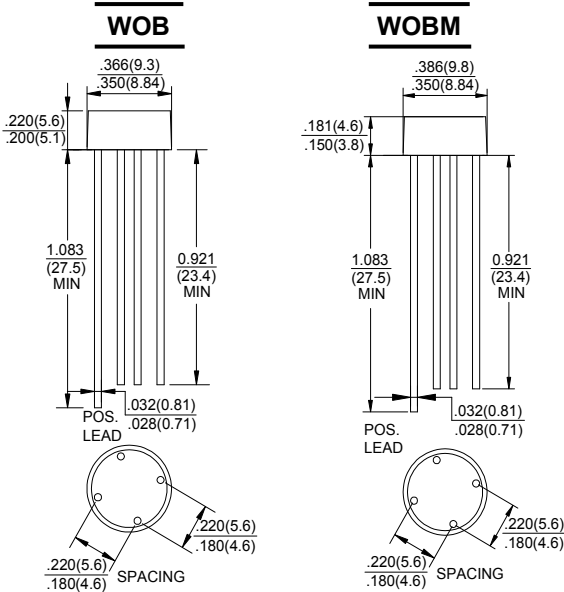


2WO/2WOM SERIES

SILICON BRIDGE RECTIFIERS

Reverse Voltage - 50 to 1000 Volts Forward Current - 2.0 Amperes



Dimensions in inches and (millimeters)

FEATURES

- ◆ Surge overload rating -50 amperes peak
- ◆ Ideal for printed circuit board
- ◆ Reliable low cost construction utilizing molded plastic technique results in expensive product

MECHANICAL DATA

Case: Molded plastic body

Terminals: Plated leads solderable per MIL-STD-750, Method 2026

Polarity: Polarity symbols marked on case

Mounting Position: Any

MAXIMUM RATINGS AND ELECTRICAL CHARACTERISTICS

Rating at 25 °C ambient temperature unless otherwise specified.

Single phase, half wave ,60Hz, resistive or inductive load.

For capacitive load, derate current by 20%

| CHARACTERISTICS | SYMBOL | 2W005 | 2W01 | 2W02 | 2W04 | 2W06 | 2W08 | 2W10 | UNIT |
|---|-------------------|-------------|-------|-------|-------|-------|-------|-------|------------------|
| | | 2W005M | 2W01M | 2W02M | 2W04M | 2W06M | 2W08M | 2W10M | |
| Maximum Recurrent Peak Reverse Voltage | V _{RRM} | 50 | 100 | 200 | 400 | 600 | 800 | 1000 | V |
| Maximum RMS Voltage | V _{RMS} | 35 | 70 | 140 | 280 | 420 | 560 | 700 | V |
| Maximum DC Blocking Voltage | V _{DC} | 50 | 100 | 200 | 400 | 600 | 800 | 1000 | V |
| Maximum Average Forward Rectified Current 0.375" (9.5mm) Lead Lengths @T _A =25 °C | I _(AV) | 2.0 | | | | | | | A |
| Peak Forward Surge Current , 8.3ms Single Half Sine-Wave Super Imposed on Rated Load (JEDEC Method) | I _{FSM} | 50 | | | | | | | A |
| I ² t Rating for Fusing (t<8.3ms) | I ² t | 10.375 | | | | | | | A ² s |
| Maximum Forward Voltage Drop Per Element at 2.0A Peak | V _F | 1.1 | | | | | | | V |
| Maximum DC Reverse Current at Rated T _J =25°C | I _R | 10.0 | | | | | | | μA |
| DC Blocking Voltage T _J =100°C | | 1.0 | | | | | | | mA |
| Typical Junction Capacitance Per Element (Note1) | C _J | 30 | | | | | | | pF |
| Operating Temperature Range | T _J | -55 to +150 | | | | | | | °C |
| Storage Temperature Range | T _{STG} | -55 to +150 | | | | | | | °C |

Note:1. Measured at 1.0MHz and applied reverse voltage of 4.0V DC.

2. The typical data above is for reference only.

FIG.1-DERATING CURVE FOR OUTPUT RECTIFIED CURRENT

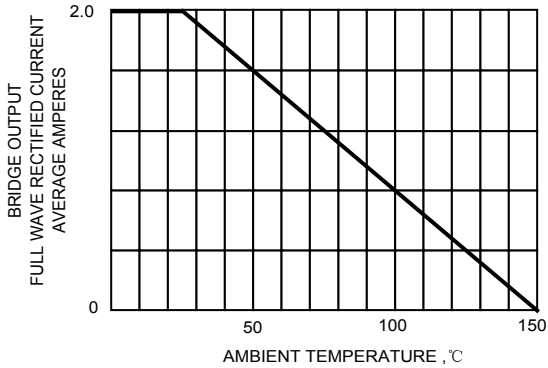


FIG.2-MAXIMUM NON-REPETITIVE PEAK FORWARD SURGE CURRENT

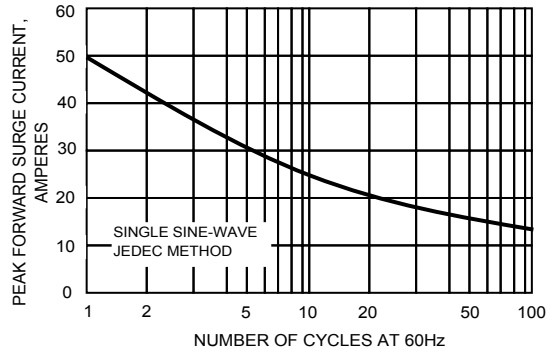


FIG.3-TYPICAL REVERSE CHARACTERISTICS

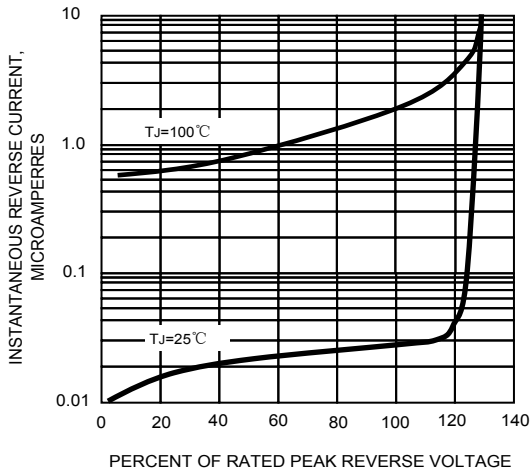


FIG.3-TYPICAL FORWARD CHARACTERISTICS

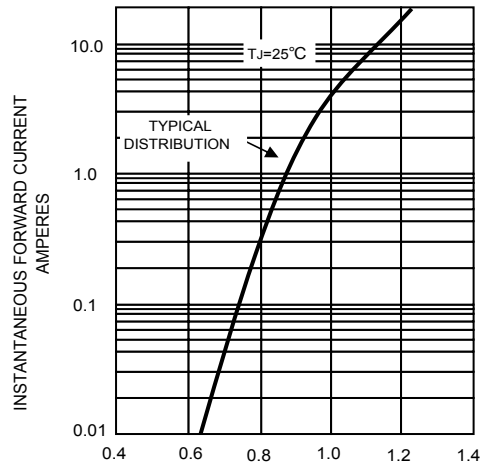
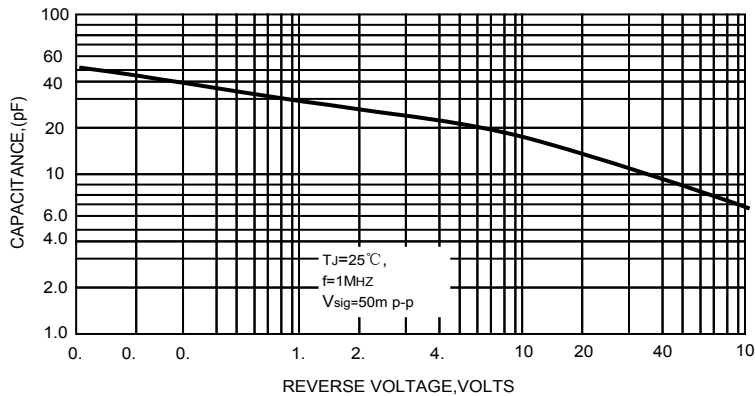


FIG.5-TYPICAL JUNCTION CAPACITANCE PER BRIDGE ELEMENT



The cruve graph is for reference only, can't be the basis for judgment